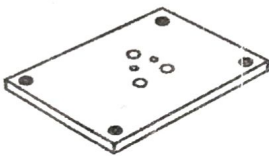
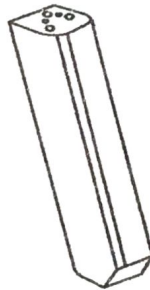


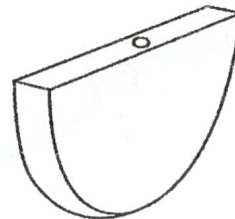
①x1



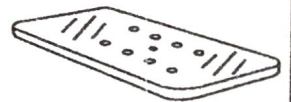
②x2



③x2



④x1



⑤x1

A (M8x40) x14



B (M8x50) x8



Cx22



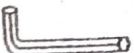
Dx22



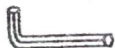
E (M8x30) x4



F (M6) x1



G (M4) x1



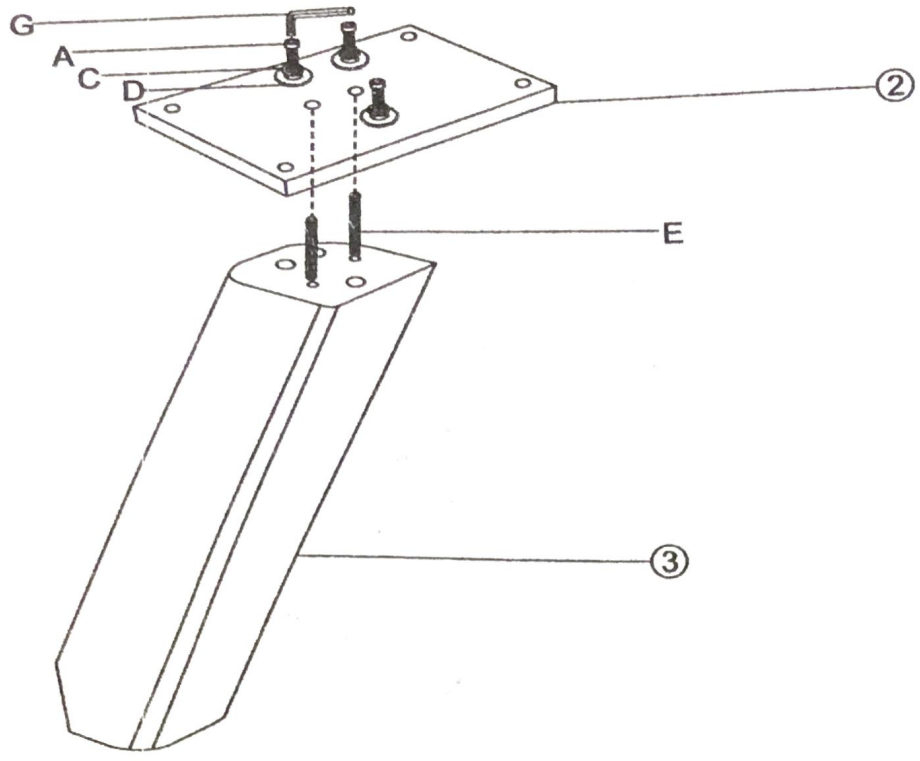
H (M6x40mm) x1



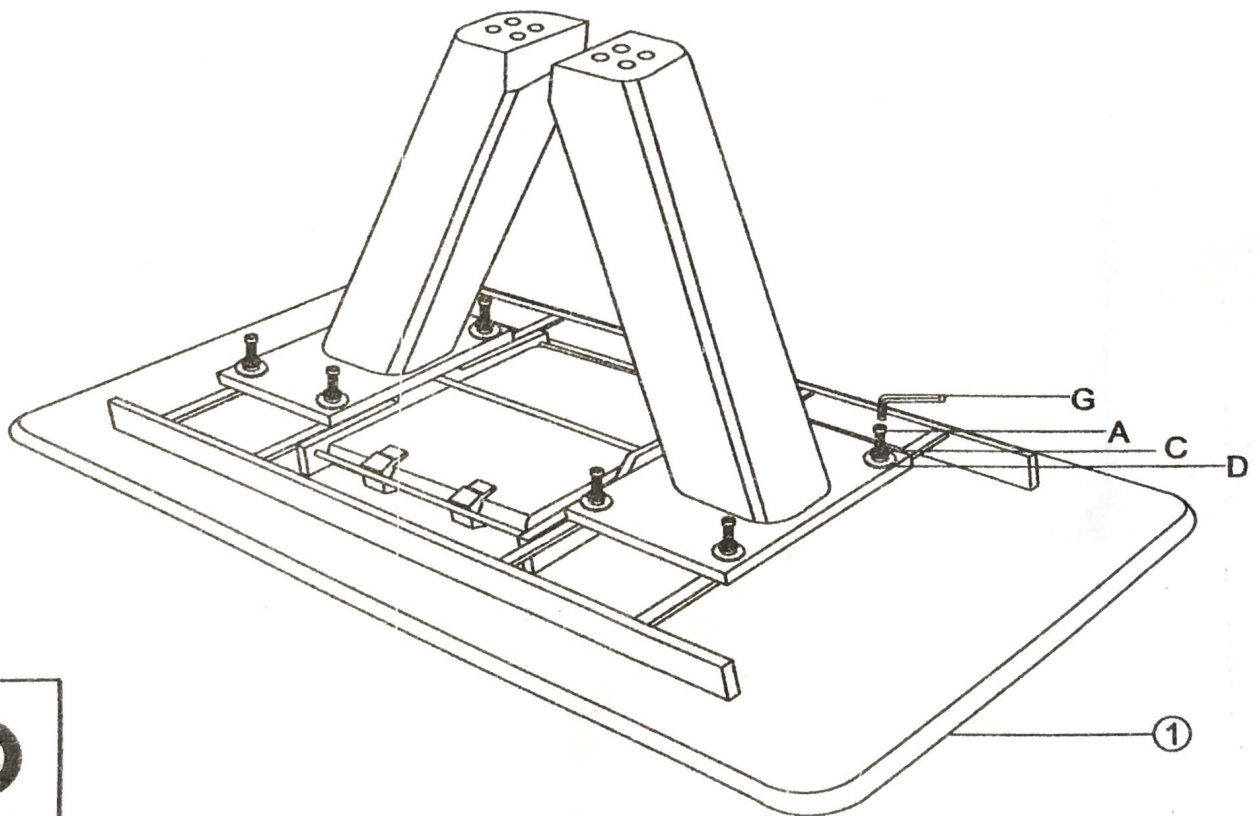
Ix1



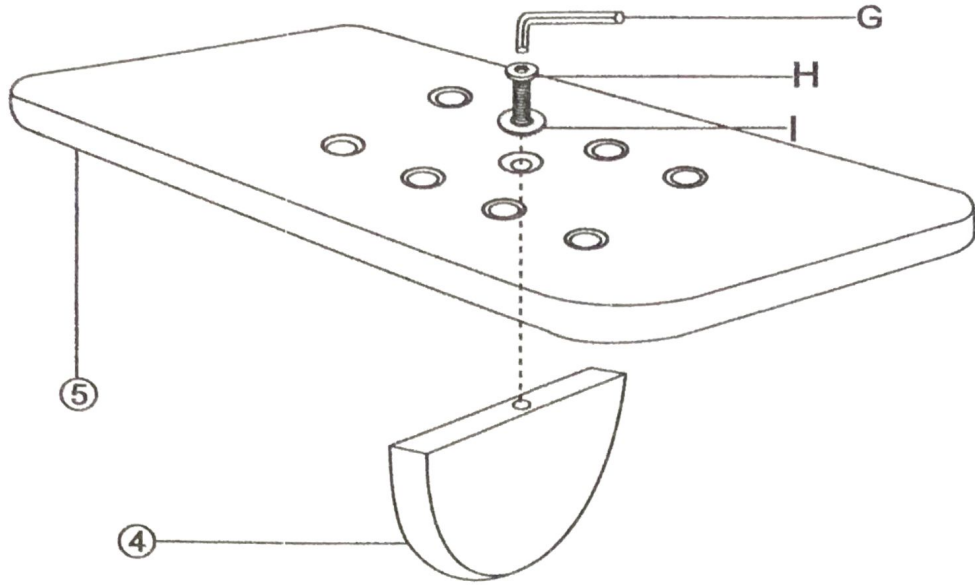
1



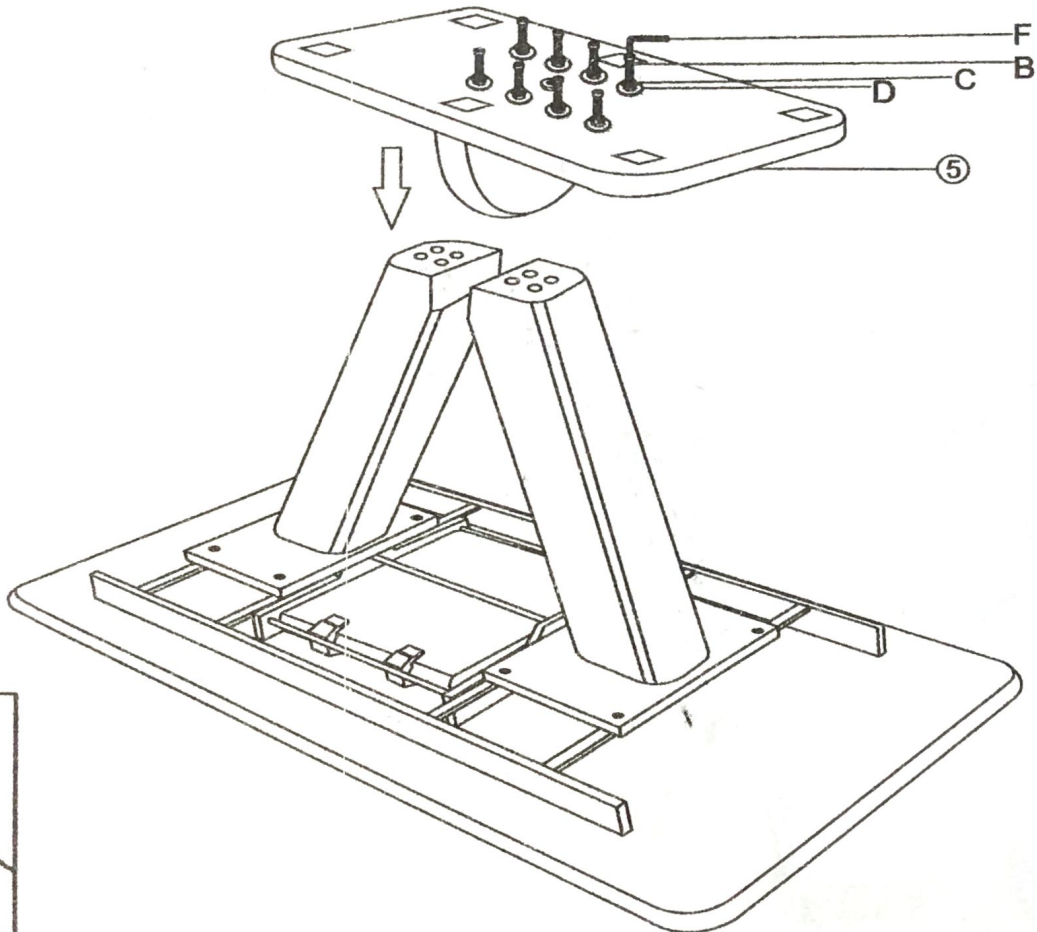
2



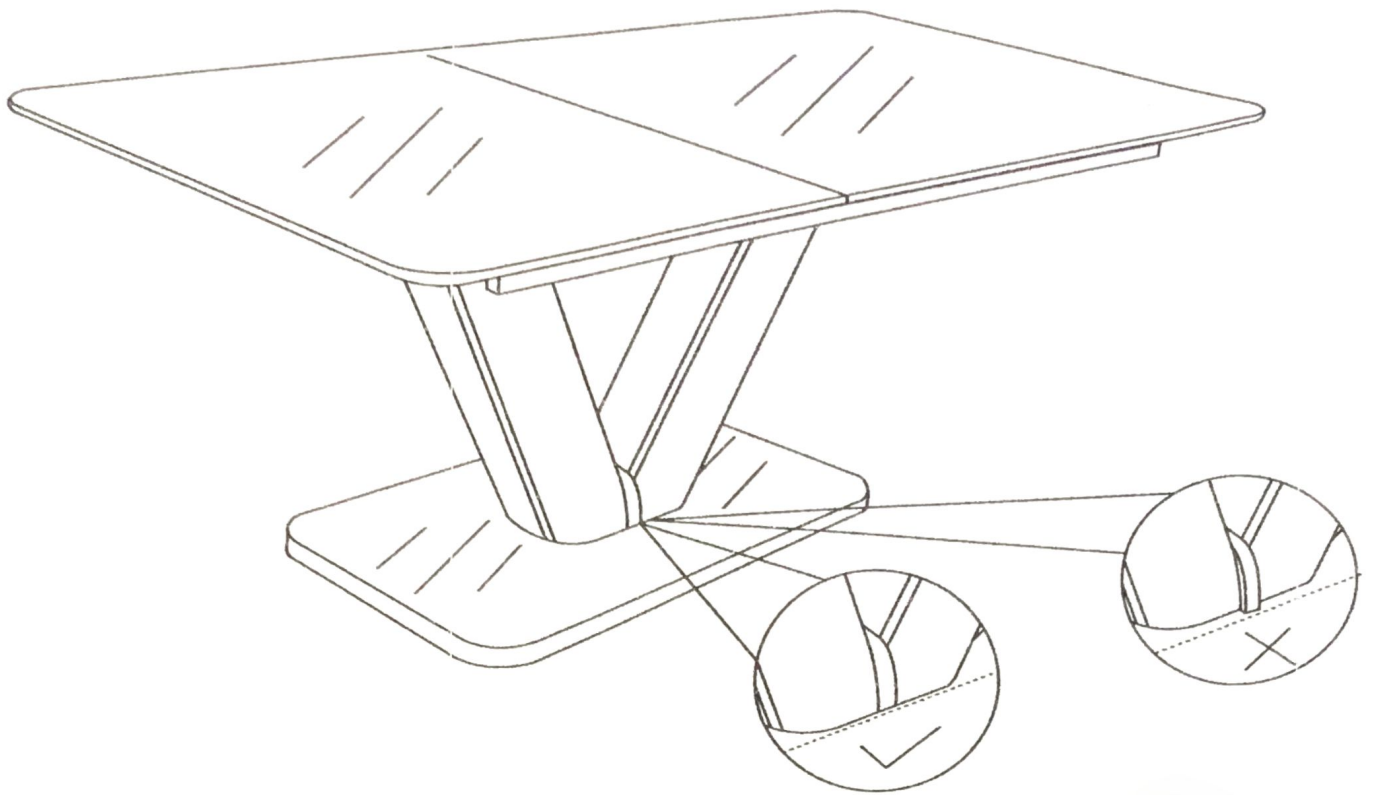
3



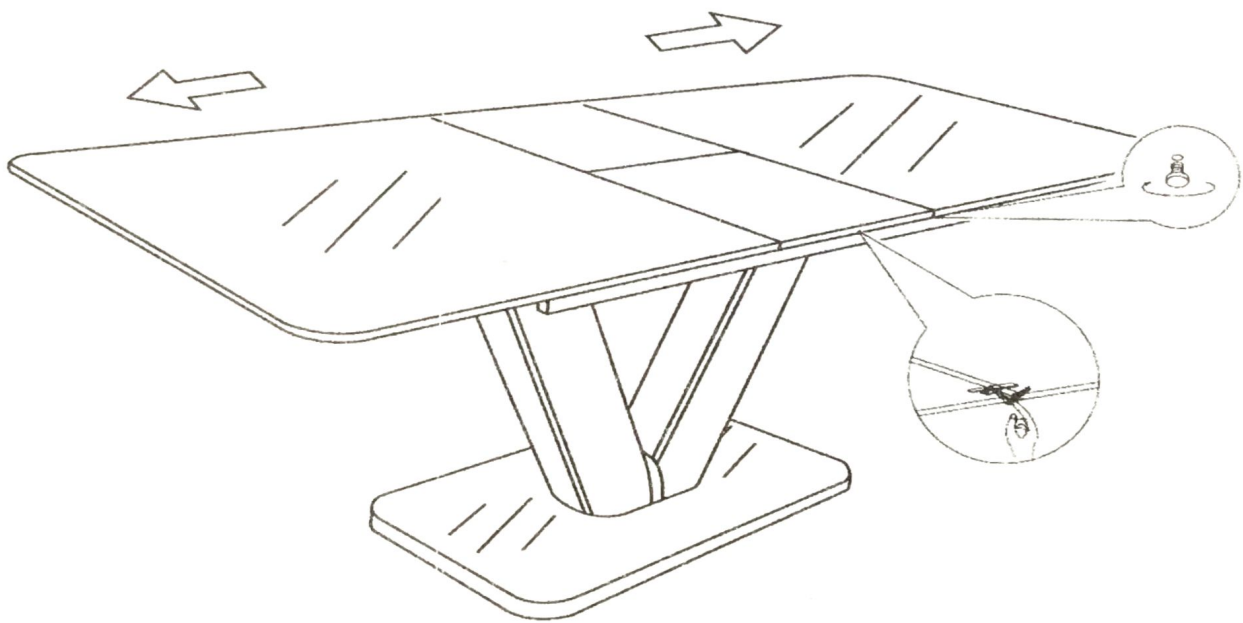
4



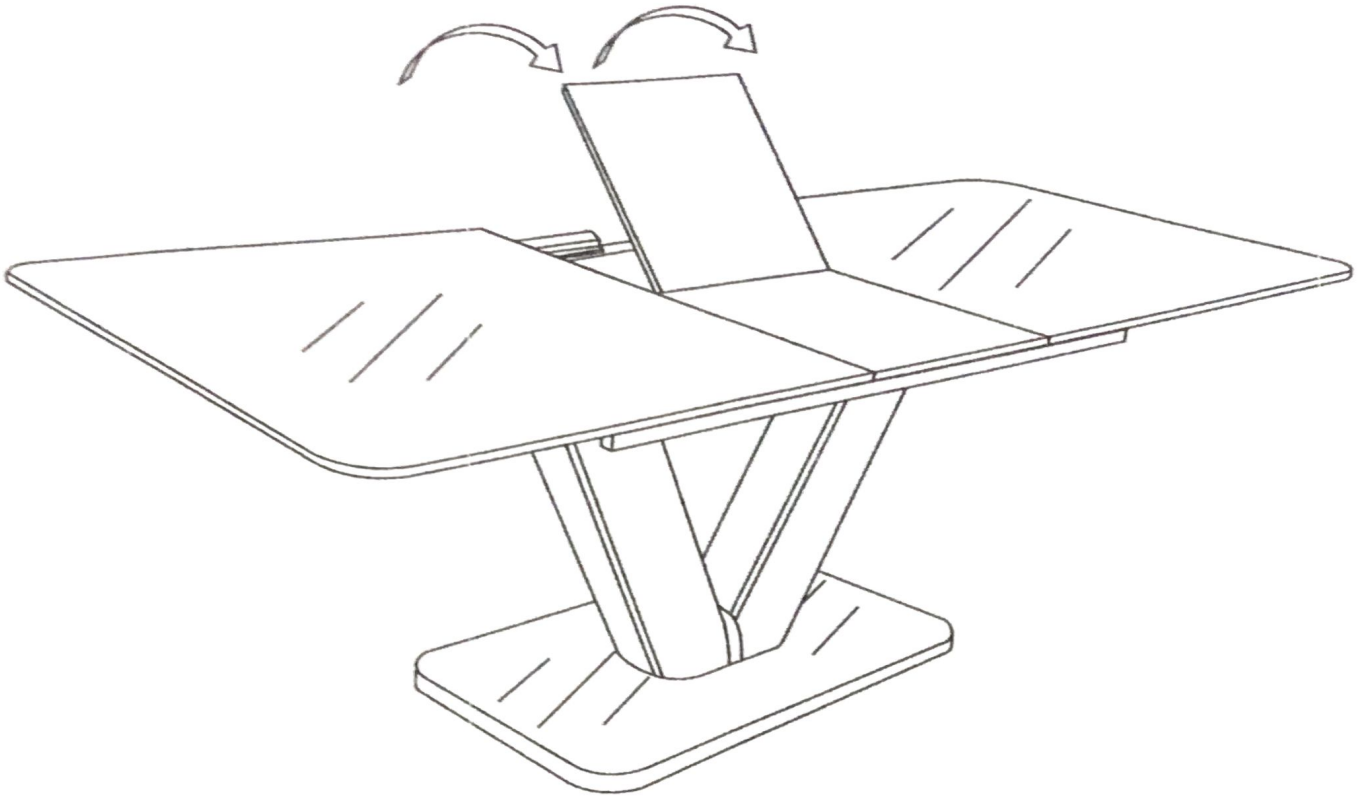
5



6



7



8

